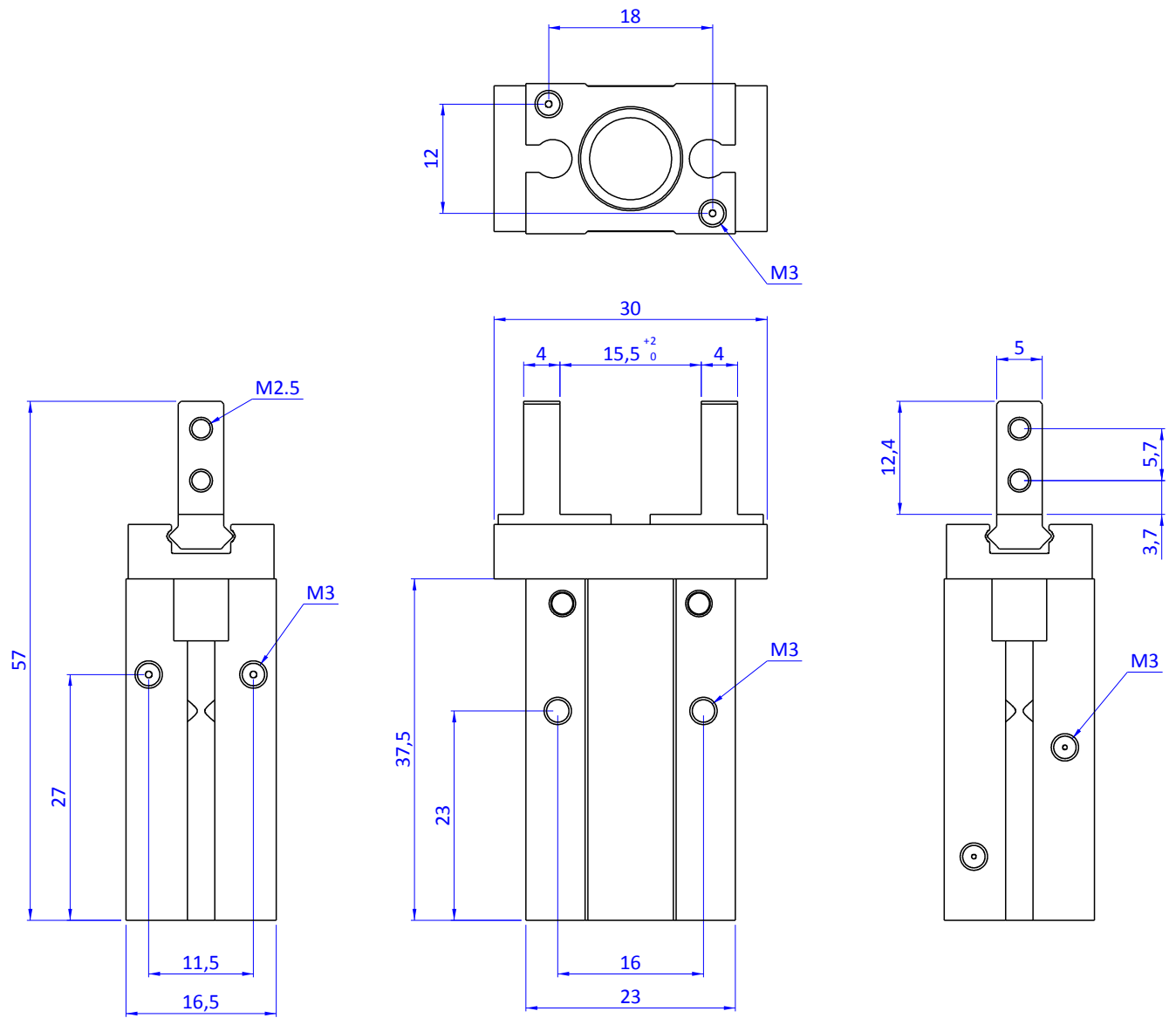
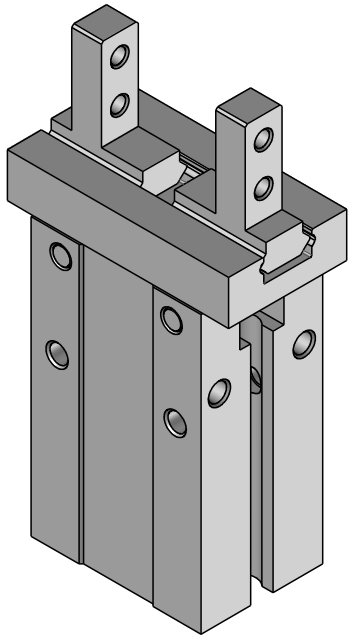



THE PROPERTY OF THE DRAWING IS ESTABLISHED BY LAW. IT IS FORBIDDEN TO PRODUCE OR SHOW IT TO THIRD PARTY, WITHOUT A WRITTEN AGREEMENT.

SENSOR	Type
DS1HPC08	PNP
DS1HNC08	NPN



"CA.09.05.009" is realized by other manufacturers.  
FPS-Automation is just seller.

Format A3  
 UNI 936-76

 <b>FPS</b> FPSERVICES AUTOMATION		DESIGNED FROM		REVIEW
		FPS Automation		A
GENERAL TOLERANCE		DATE	WEIGHT	
UNI - ISO 2768		27/06/2019	0.056Kg	
CLASSE F		CODE		
		CA.09.05.009.NO		CA.09.05.009.NO